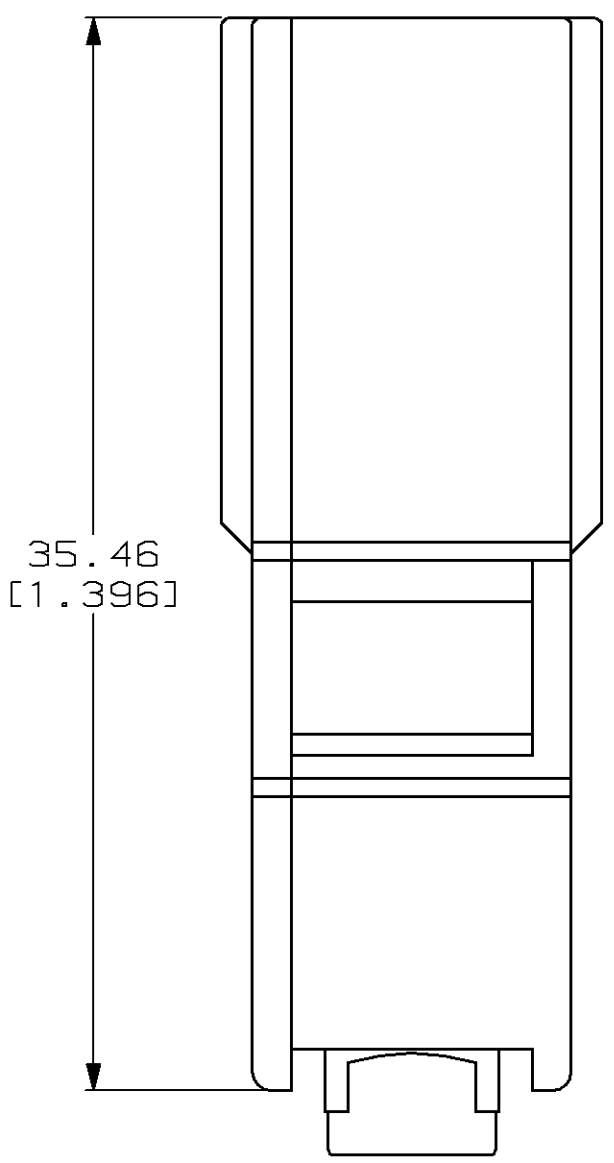
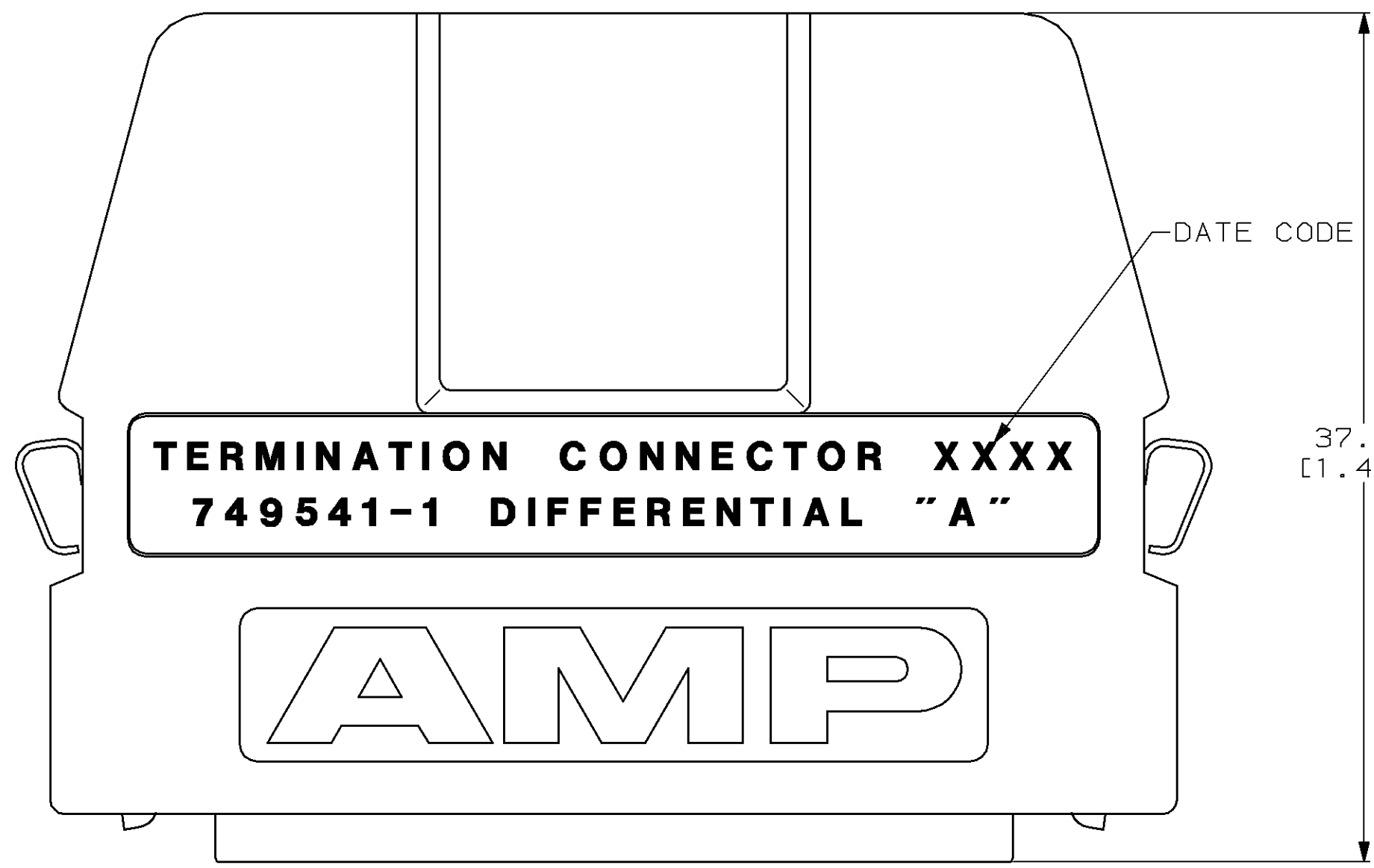
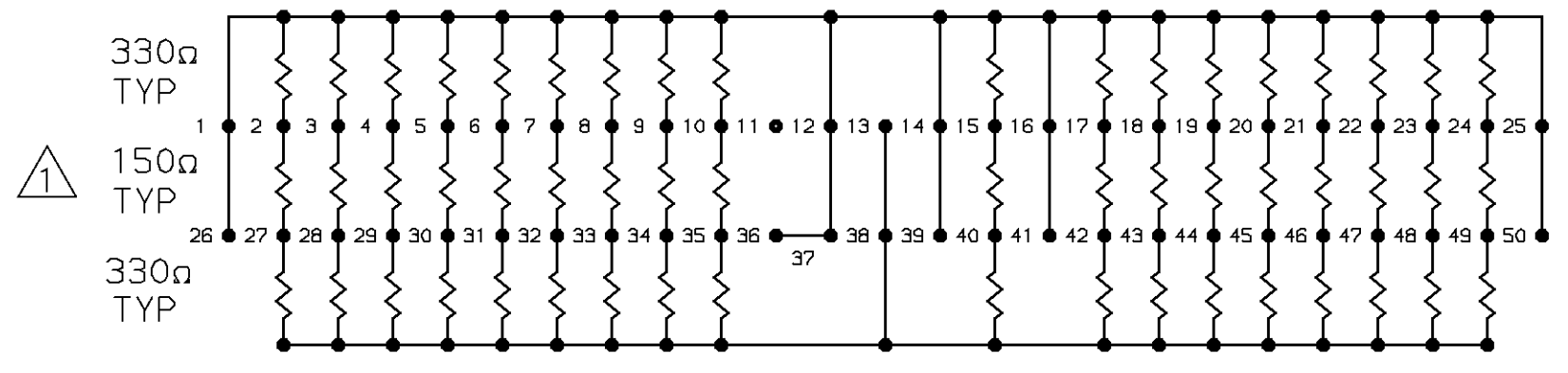
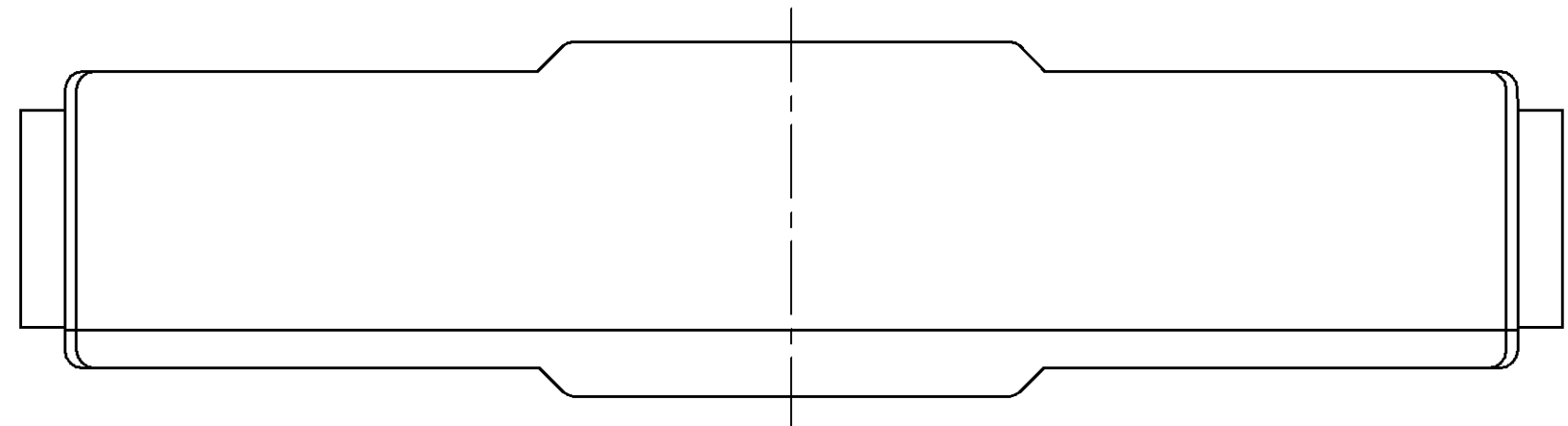
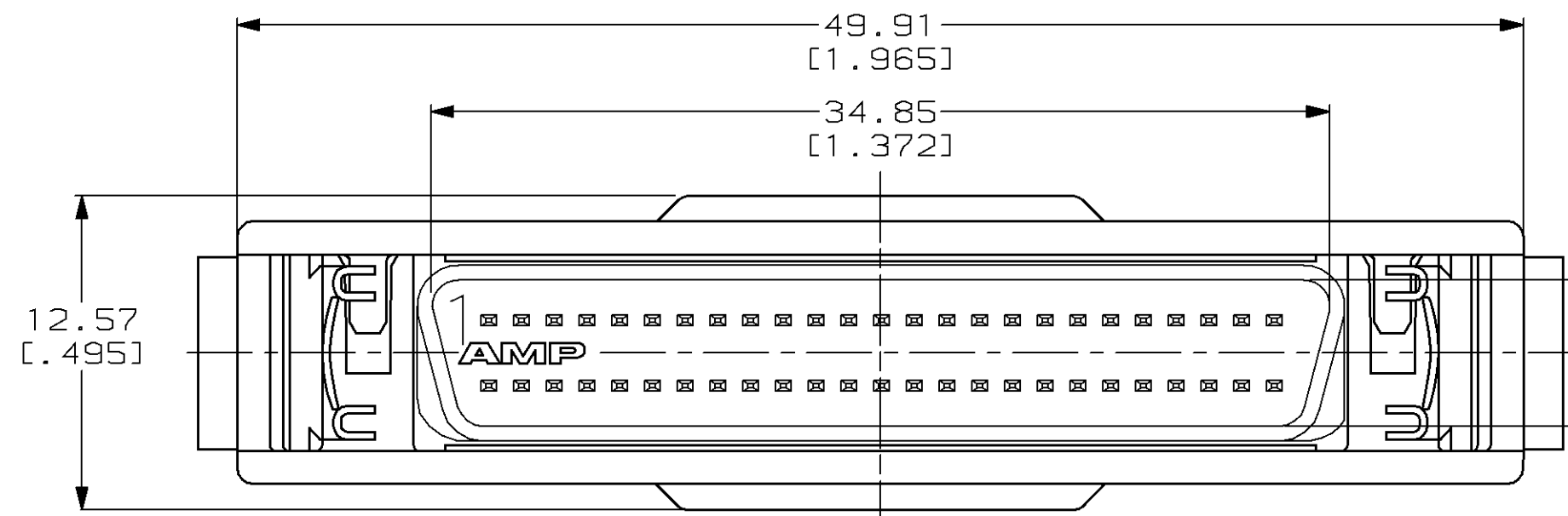


MOD	LOC	DIST	P	F	ZONE	LTR	DESCRIPTION	DATE	APPD
11	BD	62					REV PER EC 0020-601-93	10/27/93	PR
							REV PER EC 0020-1283-94	01/04/95	PR



SCHEMATIC



△ TOLERANCE: ±5%

AS SHOWN	749541-1
REMARKS	PART NO

DO NOT SCALE PRINT. UNLESS SPECIFIED DIMENSIONS IN mm [INCHES] TOLERANCES ON : 2 PLC DEC ±.25 [.010] 3 PLC DEC ± - ANGLES ± -	DR 11/30/89 S.G.SMITH	AMP INCORPORATED Harrisburg, Pa. 17105
	CHK 11/30/89 K.ULERY	
MATERIAL HOUSING: ZINC DIE CASTING CONTACT: PHOS BRONZE INSERT: THERMOPLASTIC RESISTOR: THICK FILM NETWORK ON ALUMINA SUBSTRATE LATCHES: STAINLESS STEEL	APPD 11/30/89 B.MOSSER	NAME
	APPD 11/30/89 E.MYERS	TERMINATION CONNECTOR AMPLIMITE .050 Series 50 POSN, PLUG
FINISH HOUSING: NICKEL OVER COPPER CONTACT: 30µ" GOLD OVER NICKEL LATCHES: NONE	PRODUCT SPEC -	SIZE
	APPLICATION SPEC -	CAGE CODE
	WEIGHT -	DRAWING NO
		749541-1
		SCALE 4:1
		SHEET 1 OF 1